

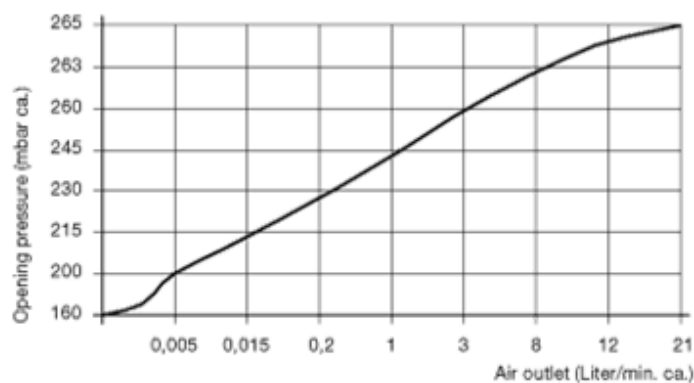
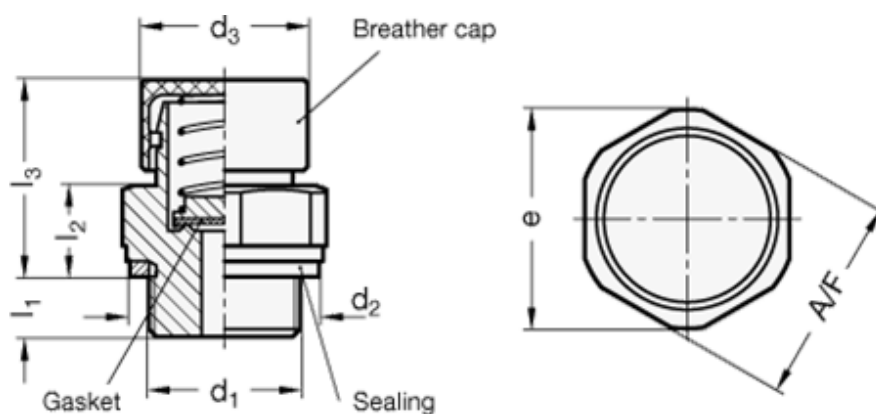
# Data Sheet



Article number: 20881M2615200MSM

Description: E+G  
Breather valve, - M26X1.5

## Measures



A/F	= 32
d2	= 32
d3	= 22
e	= 34
l1	= 8
l2	= 12
l3	= 27
Thread d1	= M26x1.5